



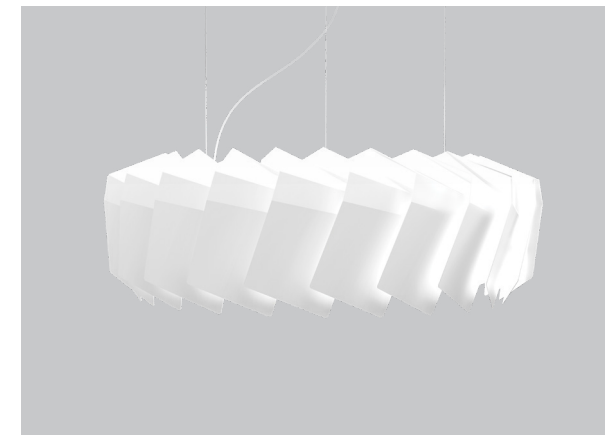




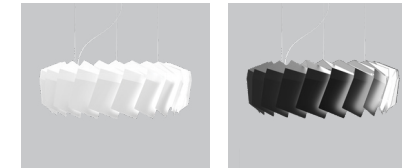


MOTO 4262

PROJECT	PROJET
SPEC TYPE	
NOTES	

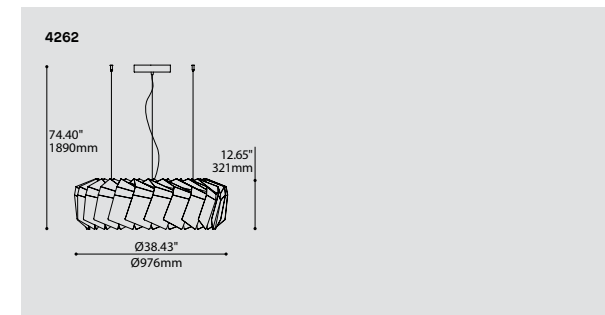


FINISH FINI



WHE

BLKE



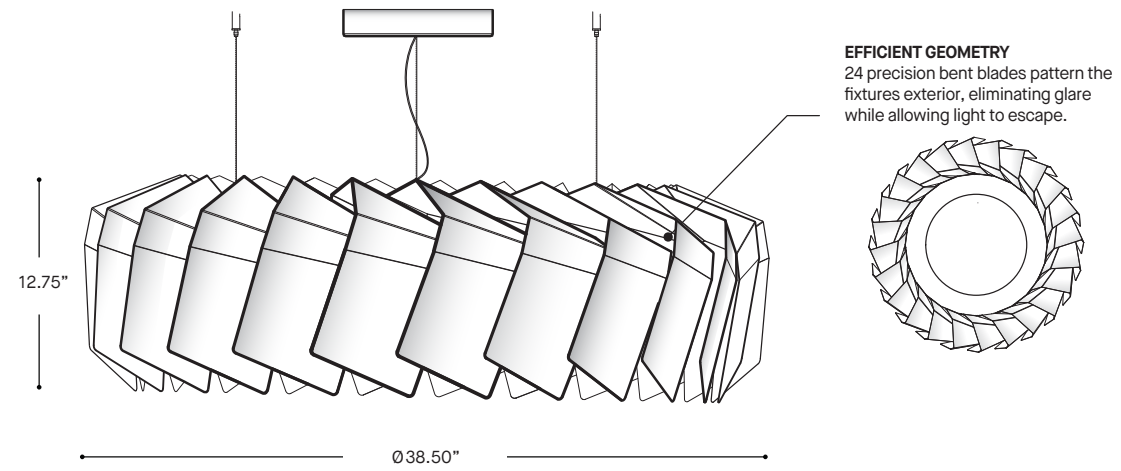
ORDERING SPECIFICATION	SPÉCIFICATION DE COMMANDE	CODE
MODEL MODÈLE		4262
4262	MOTO	
LIGHT SOURCE SOURCE LUMINEUSE		LED
LED	REGULAR OUTPUT	
COLOR TEMPERATURE TEMPÉRATURE DE COULEUR		
27	2700K	
30	3000K	
35	3500K	
40*	4000K	
* LONGER LEAD TIME MAY APPLY. PLEASE CONTACT YOUR EUREKA REPRESENTATIVE		
COLOR RENDERING INDEX (CRI) INDICE DE RENDU DE COULEUR (IRC)		90
90	90+ CRI	
VOLTAGE VOLTAGE		
120V	120 VOLT	
277V	277 VOLT	
DIMMING OPTION OPTION DE GRADATION		
DV	0-10V DIMMING (120V-277V)	
DP	PHASE DIMMING (120V ONLY)	
LED DIMMING DRIVER IS STANDARD IN THIS PRODUCT. PLEASE SPECIFY YOUR DIMMING TYPE		
CABLE CÂBLE		AC
AC	AIRCRAFT MOUNTING & CLEAR CABLE, FIELD ADJUSTABLE	
CABLE LENGTH LONGUEUR DE CÂBLE		
60	60" AIRCRAFT CABLE (STD LENGTH)	
**	CUSTOM AIRCRAFT CABLE LENGTH (PLEASE SPECIFY)	
FOR OVERALL LENGTH, PLEASE CONTACT YOUR EUREKA REPRESENTATIVE		
CANOPY FINISH FINI PAVILLON		
BLKE	BLACK FINE TEXTURE	
WHE	WHITE FINE TEXTURE	
DIFFUSER FINISH FINI DIFFUSEUR		
BLKE	BLACK FINE TEXTURE	
WHE	WHITE FINE TEXTURE	

PRODUCT CHARACTERISTICS CARACTÉRISTIQUES DU PRODUIT

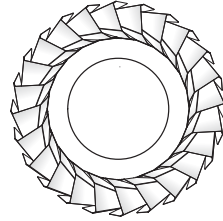
BIM **DIM** **IES** **LED**

DESIGN:	Achieving high performance aesthetics, this luminaire uses precision geometry to efficiently shutter light output while creating a static sense of motion.
INSTALLATION:	On-board triple aircraft cable mounts allow easy on-site adjustment.
LIGHT SOURCE:	Moto features a custom LED light engine with a standard 0-10V or phase dimming driver.
DIFFUSER:	The angular exterior is juxtaposed by a smooth thermoformed PMMA diffuser with a large central hole reducing visual weight and providing soft diffused light.
CERTIFIED:	c-CSA-us
CONCEPTION:	L'esthétisme précis et anguleux de ce luminaire utilise une géométrie calculée pour orienter efficacement la distribution lumineuse tout en créant une impression de mouvement.
INSTALLATION:	Les trois câbles d'acier permettent une mise à niveau facile et rapide sur place.
SOURCE LUMINEUSE:	Moto offre une source lumineuse DEL conçue sur mesure, connectée à une unité d'alimentation à gradation standard 0-10V ou phase.
DIFFUSEUR:	Juxtaposés de surfaces métalliques angulaires se trouve un diffuseur fait de PMMA thermoformé avec un centre évidé réduisant le poids visuel et offrant une lumière douce et diffuse.
CERTIFIÉ:	c-CSA-us

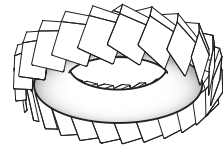
TECHNICAL DATA



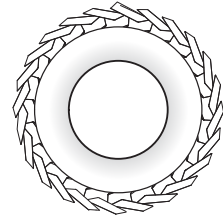
EFFICIENT GEOMETRY
24 precision bent blades pattern the fixtures exterior, eliminating glare while allowing light to escape.



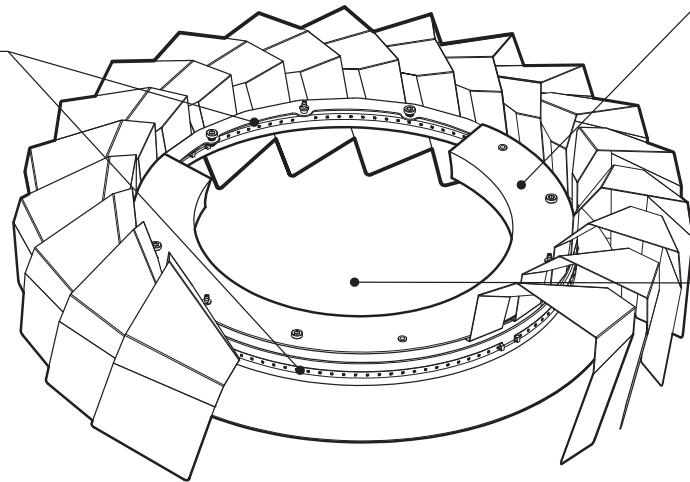
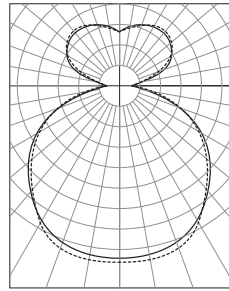
SOFT HEARTED
A smooth acrylic diffuser juxtaposes the angular exterior providing soft diffused light.



FREE PASSAGE
A large central hole reduces the fixtures visual weight and increases light emission.



LIGHT WORK
Dual high performance LED rings provide omnidirectional light, while remaining unseen behind the fixture blade system.



PRODUCT SPECIFICATION

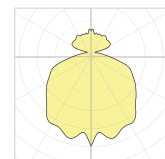
PERFORMANCE	
SYSTEM WATTAGE	44 W
DELIVERED LUMENS (4000K)(WHE/BLKE)	4086 / 2406 LM
EFFICACY (WHE/BLKE)	93 / 55 LM/W

OTHER INFORMATION	
LUMINAIRE'S WEIGHT	10,1 KG / 22,2 LBS
L70 (LUMEN MAINTENANCE)	60 000 HRS
MAX. LUMINANCE 45°-90° OF NADIR	878 CD/M ²
LIGHT QUALITY	R9 > 50

EFFICACY MULTIPLIERS

CRI	CCT	FACTOR
90+	4000K	1.00
90+	3500K	0.96
90+	3000K	0.92
90+	2700K	0.87

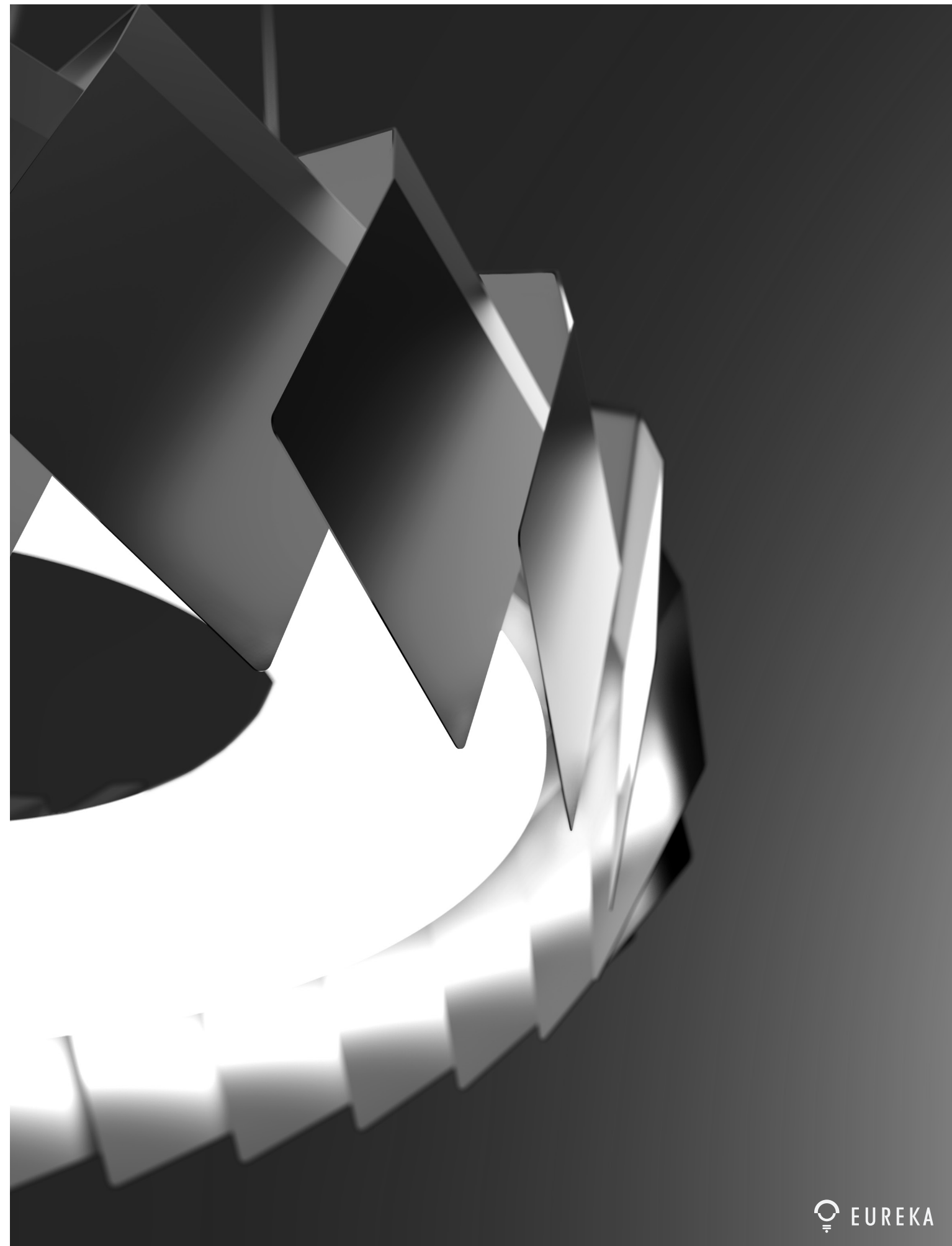
LIGHT DISTRIBUTION



4262



Visit our website for warranty terms and conditions.



Photometrics

4262-LED-WHE

CCT (K): 4000
 Delivered Lumens (lm): 4082
 System wattage (W)*: 43.4
 Distribution: Direct-Indirect
 Delivered Efficacy (lm/W): 94.1
 Photometric type: C

4262-LED-BLKE

CCT (K): 4000
 Delivered Lumens (lm): 2403
 System wattage (W)*: 55.4
 Distribution: Direct-Indirect
 Delivered Efficacy (lm/W): 62.9
 Photometric type: C

*System wattage includes driver and LED module consumption

